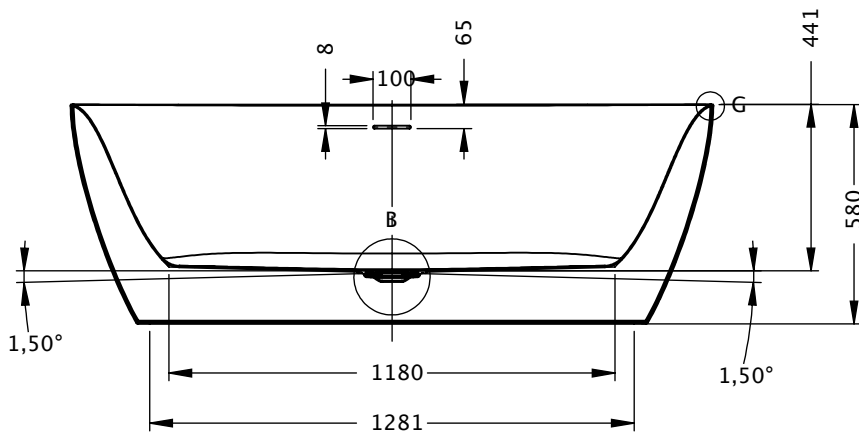
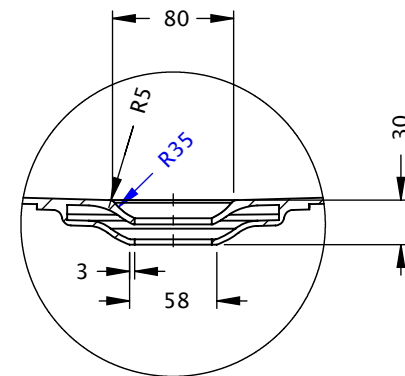


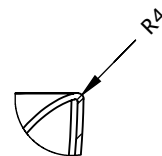
SECTION I-I



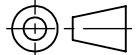
SECTION A-A



DETAIL B
SCALE 1 : 5



DETAIL G
SCALE 1 : 5

Treatment: reinforced		Material: Acryl gloss	
Rev/Change no/Dev/ Date	Rev/Change no/Dev/ Date	Rev/Change no/Dev/ Date	Rev/Change no/Dev/ Date
A	C	E	G
B	D	F	H
Scale: 1:20 Format: A4 Unit: mm Sheet: 1 of 1 Tolerance: NEN-ISO 2768-1 class c			
Name: ease back to wall			 Third angle
Drawn:		Date: 08-08-18	
Introduced by tech. change:			